

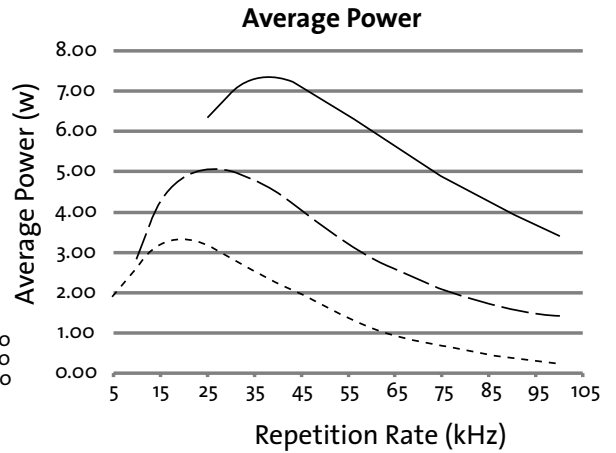


AVIA

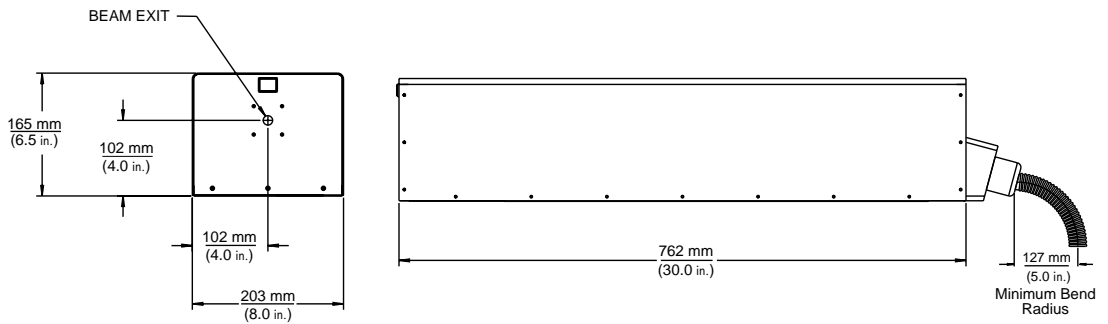
High-Power Q-Switched Ultraviolet Lasers

	AVIA 355-3000	AVIA 355-4500	AVIA 355-7000
System Specifications			
Wavelength	355 nm	355 nm	355 nm
Recommended Pulse Repetition Rate	Single-shot to 100 kHz	10 kHz to 100 kHz	25 kHz to 100 kHz
Pulse Width	<40 ns up to 60 kHz	<30 ns up to 60 kHz	<30 ns up to 60 kHz
Pulse-to-Pulse Stability	<5% rms up to 30 kHz	<5% rms up to 30 kHz	<5% rms up to 60 kHz
Average Output Power	>3.0 watts at 20 kHz	>4.5 watts at 25 kHz	>7.0 watts at 40 kHz
Polarization Ratio	>100:1 horizontal	>100:1 horizontal	>100:1 horizontal
Warm-up Time	<10 minutes	<10 minutes	<10 minutes
Spatial Mode	TEM ₀₀ (M ² <1.3)	TEM ₀₀ (M ² <1.3)	TEM ₀₀ (M ² <1.3)
Beam Divergence	<0.3 mrad	<0.3 mrad	<0.3 mrad
Beam Diameter	2.7 mm @ 1/e ²	3.5 mm @ 1/e ²	3.5 mm @ 1/e ²

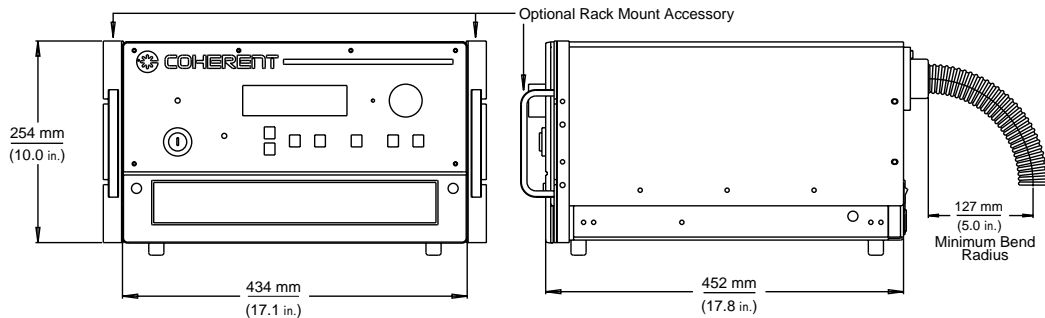
	Specifications
Utility and Environmental Requirements	
Operating Voltage	90 to 264 vac (autoranging)
Line Frequency	47-63 Hz
Power Consumption	1100W maximum (700W typical)
Ambient Temperature Operating Range	
Model 355-3000	10 to 35°C (air-cooled)
Model 355-4500	10 to 25°C (air-cooled) and 10 to 35°C (water-cooled)
Model 355-7000	10 to 35°C (water-cooled)
Dimensions of Laser Head (LxWxH)	762 x 203 x 165 mm (30 x 8 x 6.5 in)
Weight of Laser Head	21.8 kg (48 lb)
Dimensions of Laser Power Supply (LxWxH)	452 x 434 x 254 mm (17.8 x 17.1 x 10 in)
Weight of Laser Power Supply	38.6 kg (85 lb)
Umbilical Length	3 m (10 ft)
Umbilical Weight	2.7 kg (6 lb)



Laser Head



Power Supply



LASER DIVISION

A member of
 Coherent Photonics Group
 5100 Patrick Henry Drive
 Santa Clara, CA 95054
 Phone: 1-800-527-3786
 1-408-764-4983
 Fax: 1-800-362-1170
 1-408-988-6838
 Email:
 tech.sales@CoherentInc.com
 Web: www.CoherentInc.com

LOCAL OFFICES

Japan +81 (3) 5635 8700
 Benelux +31 (30) 280 6060
 France +33 (1) 6985 5145
 Germany +49 (6071) 9680
 Italy +39 (02) 34 530 214
 UK +44 (1353) 658 800

Coherent follows a policy of continuous product improvement. Specifications are subject to change without notice.

Coherent's scientific and industrial lasers are certified to comply with the Federal Regulations (21 CFR Subchapter J) as administered by the Center for Devices and Radiological Health on all systems ordered for shipment after August 2, 1976.

Coherent offers a limited warranty for all AVIA™ systems. Please refer to the latest version of the Coherent Laser Division Price List for full details of this warranty coverage.

